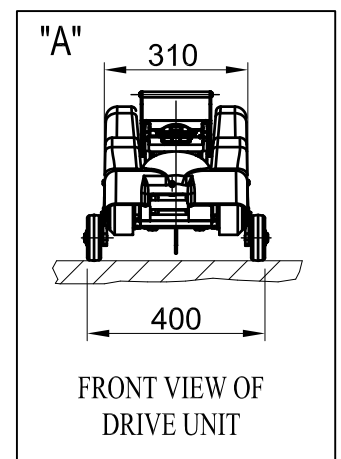
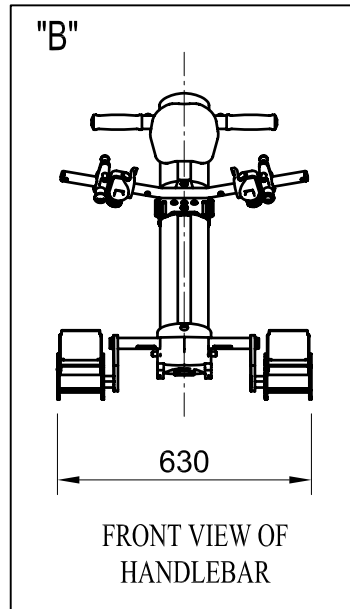
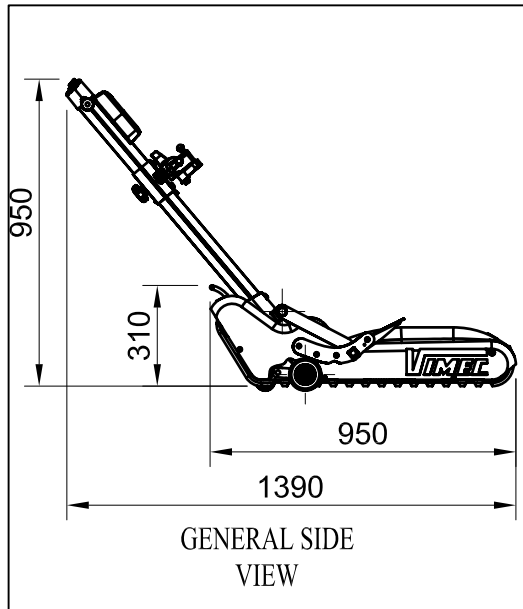
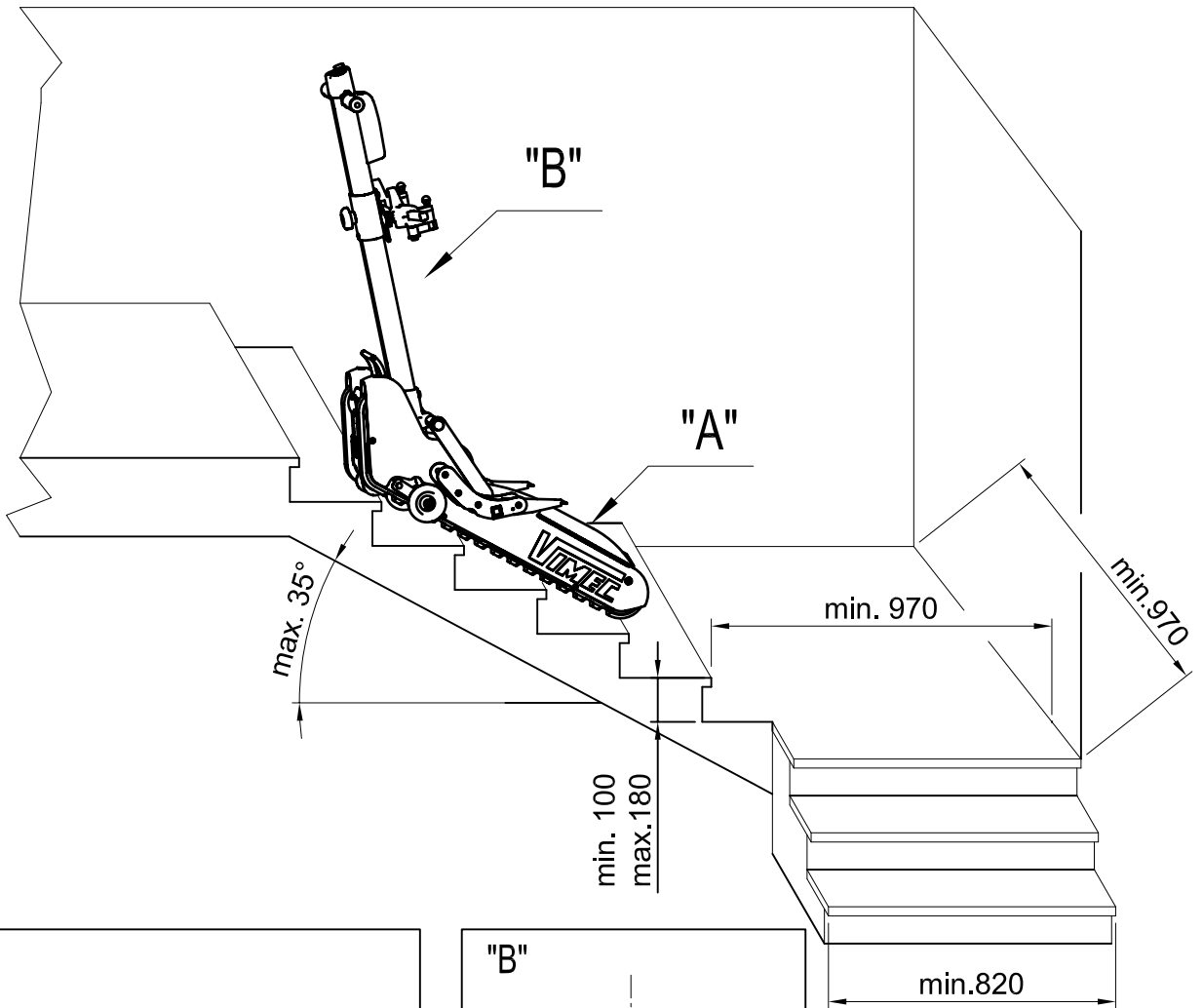


### TECHNICAL FEATURES

Rated Load	Power supply voltage	Range	Weight	Speed			
130 [daN]	CC 24 [V]	23 [FLOORS]	47 [daN]	5 [m/min]	Data 01/04/07	Cod. 8620703	Rev. b

We reserve the right to alter the specification without prior notification.

If the measures "min.970–min820–max.35" don't fit the above table, T09 can't be used on stair.

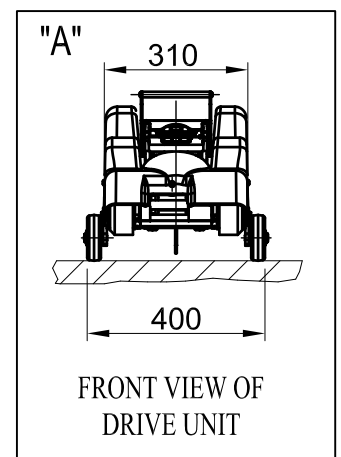
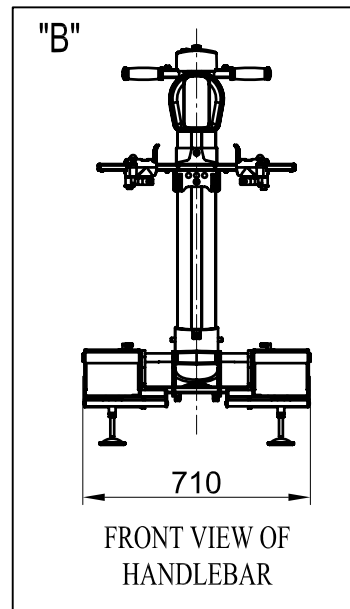
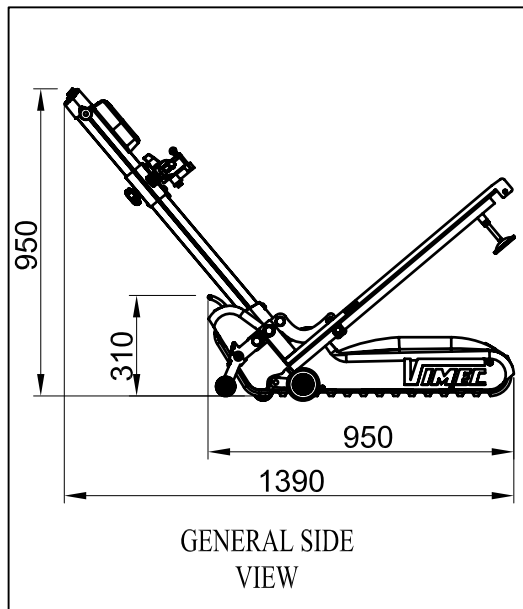
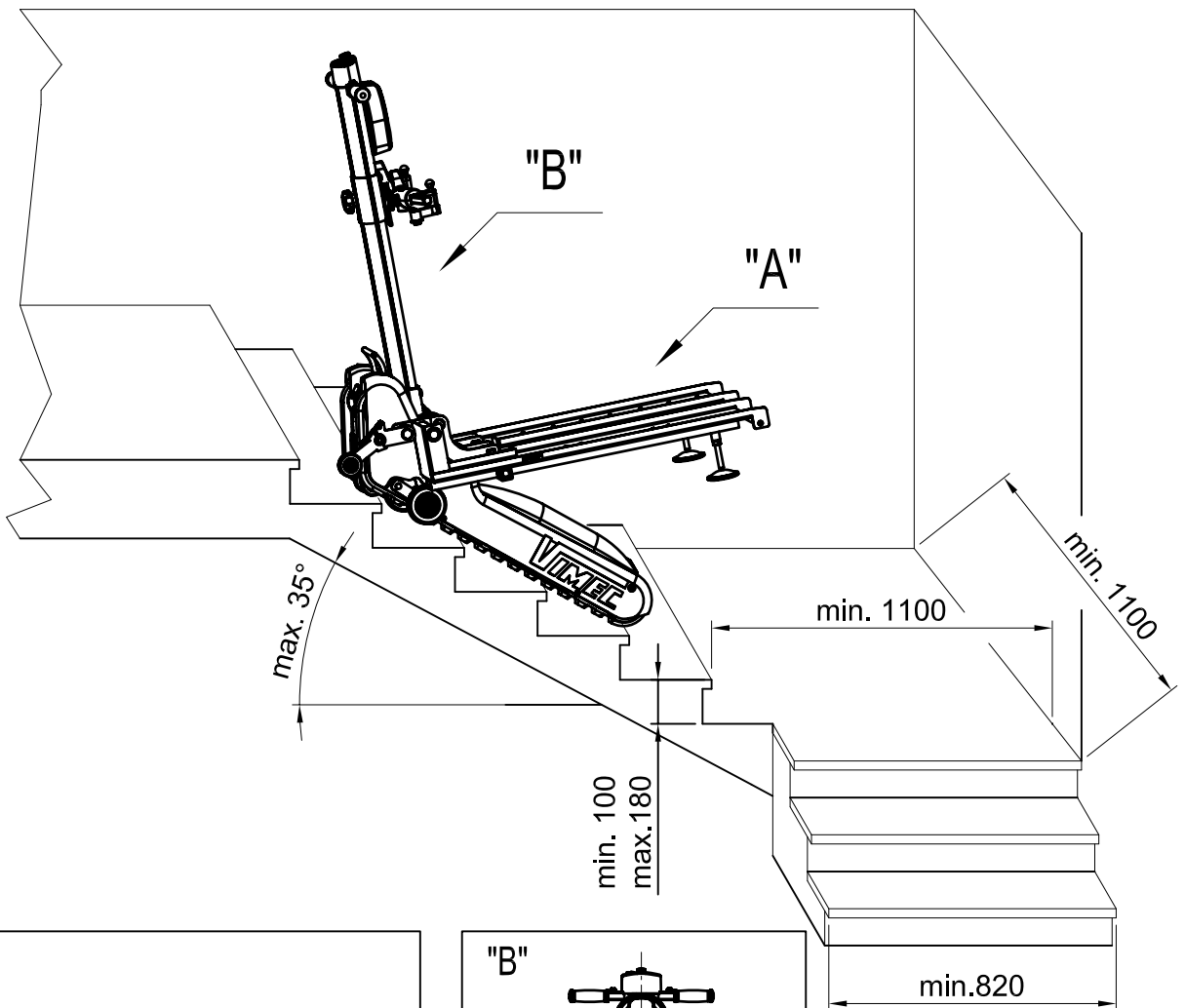


### TECHNICAL FEATURES

Rated Load	Power supply voltage	Range	Weight	Speed	Data	Cod.	Rev.
130 [daN]	CC 24 [V]	23 [FLOORS]	47 [daN]	5 [m/min]	01/04/07	8620703	b

We reserve the right to alter the specification without prior notification.

If the measures "min.970–min820–max.35" don't fit the above table, T09 can't be used on stair.



### TECHNICAL FEATURES

Rated Load	Power supply voltage	Range	Weight	Speed			
130 [daN]	CC 24 [V]	23 [FLOORS]	47 [daN]	5 [m/min]	Data 01/04/07	Cod. 8620703	Rev. b

We reserve the right to alter the specification without prior notification.

If the measures "min.970–min820–max.35" don't fit the above table, T09 can't be used on stair.